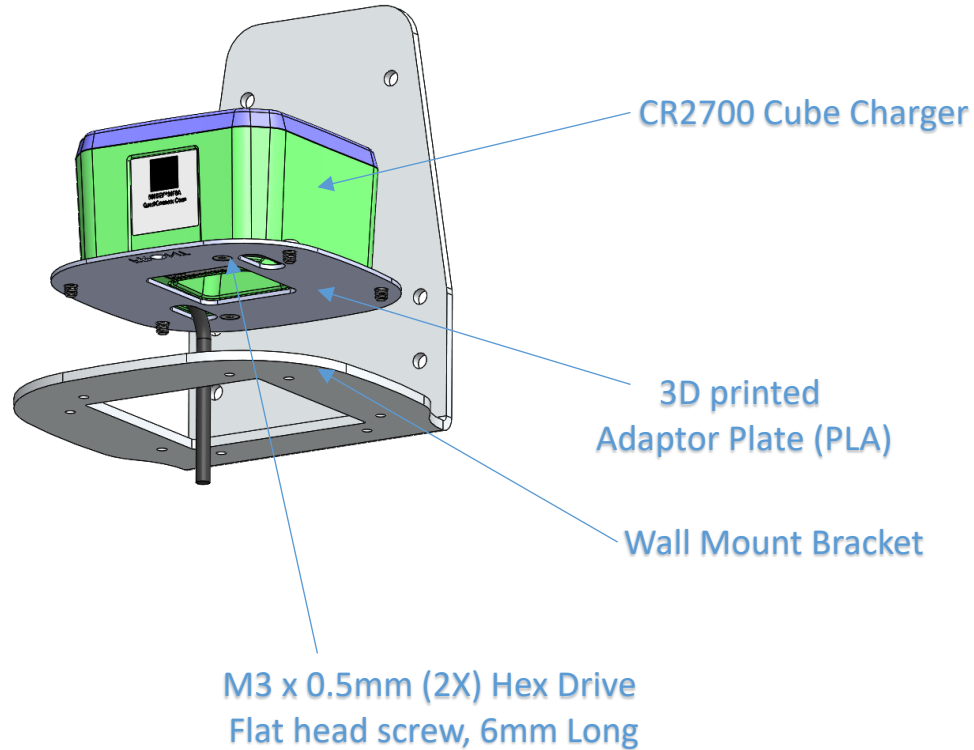


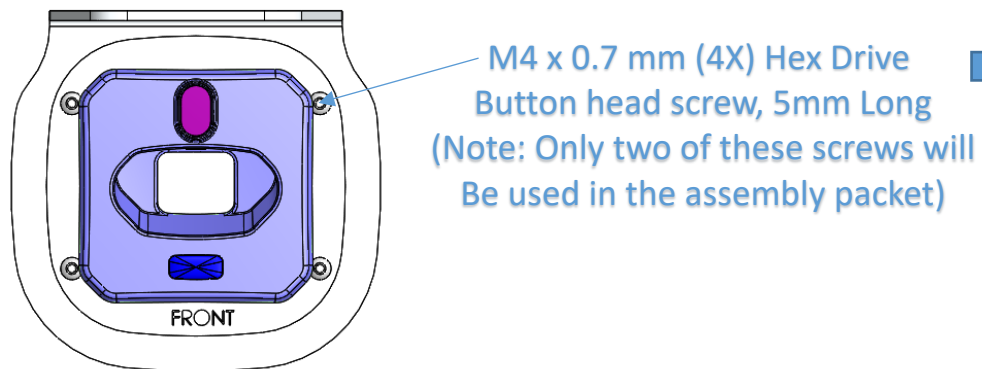
CRA-MB8 Adaptor Plate Installation Instruction

1.

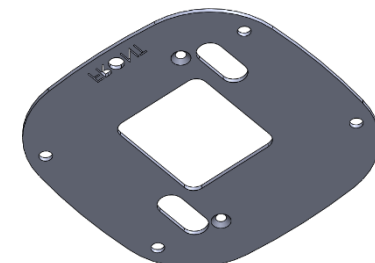


1. Attach the cube charger to the adaptor plate from bottom using M3 x 0.5 mm flat head screw.
(Countersink is on the bottom of adaptor plate)
Make sure to push the wire thru the adaptor plate before attaching the cube charger

2.



2. Attach the Adaptor plate with cube charger to wall mount bracket using M4 x 0.7mm Button head screw from top.



Adaptor Plate